

ELEKTROMED

EXCELLENCE IN METERING

WATER
METERS



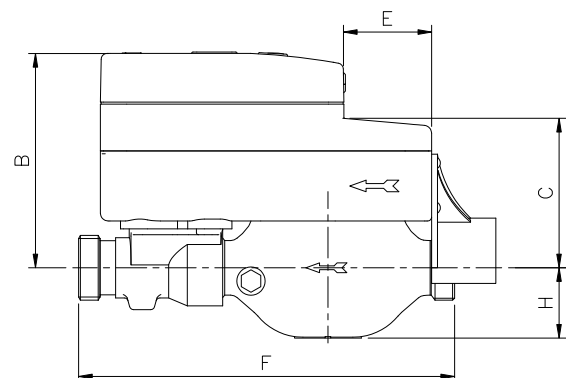
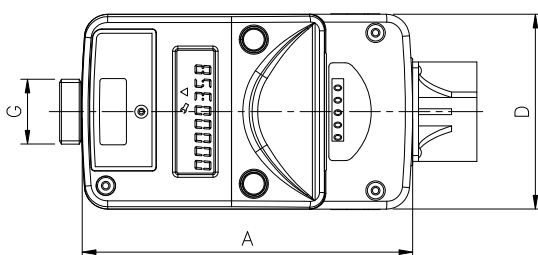
S020TB050	3
S020TC003 - S020TC005 - S20AR005	4
S020AP005	5
S040TC020	6
S050TC030	7
S080TM200	8
S100TM250	9
S150TM600	10
S200TM800	11
ICON MESSAGES	12
S SERIES WATER METERS	13

S020TB0050

Prepaid Water Meter



Technical Data		
Nominal Flow (Qn)	m ³ /h	2,5
Maximum Working Pressure (MOP)	bar	10
Maximum Pressure Loss at Qmax (ΔP)	bar	1
Accuracy (ISO 4064-1)	-	B
Battery Life (lithium)	-	5 years
Ambient Working Temperature	-	-15°C / 50°C
Accuracy Limits (ISO 4064-1)		
Minimum Flow (Q1)	m ³ /h	0,05
Transitional Flow (Q2)	m ³ /h	0,2
Continuous Flow (Q3)	m ³ /h	4
Maximum Flow (Q4)	m ³ /h	5
Maximum Water Temperature (Tmax)	°C	30
Register Digits Number (Integer+Decimal)	m ³	6+2=8
Prepayment System		Smart Card
Physical Properties		
Weight	kg	2
Protection Class	IEC 60529	IP 54



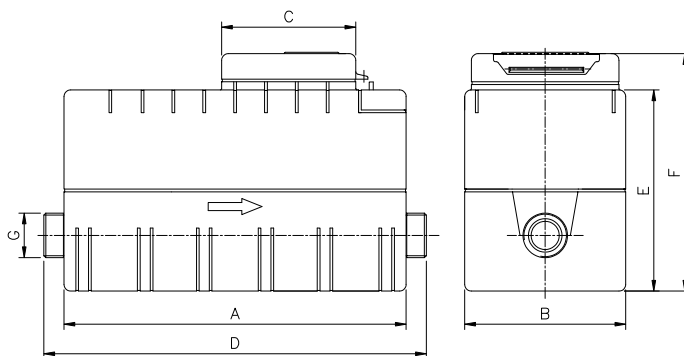
A	B	C	D	E	F	G	H
170	110	77	100	45	190	R 1"	37

S020TC003

Prepayment Electronic Gas Meter With Smart Card



Technical Data		S020TC003	S020TC005	S020AR005
Nominal Flow (Qn)	m ³ /h	1,5	2,5	2,5
Maximum Working Pressure (MOP)	bar	10	10	10
Maximum Pressure Loss at Qmax (ΔP)	bar	0,6	0,6	0,6
Accuracy (ISO 4064-1)	-	B	B (R:160)	B
Battery Life (lithium)	-	5 years	5 years	5 years
Ambient Working Temperature	-	-15°C / 50°C	-15°C / 50°C	-15°C / 50°C
Accuracy Limits (ISO 4064-1)				
Minimum Flow (Q1)	m ³ /h	0,03	0,05	0,05
Transitional Flow (Q2)	m ³ /h	0,12	0,2	0,2
Continuous Flow (Q3)	m ³ /h	2,4	4	4
Maximum Flow (Q4)	m ³ /h	3	5	5
Maximum Water Temperature (Tmax)	°C	40	40	40
Register Digits Number (Integer+Decimal)	m ³	6+2=8	6+2=8	6+2=8
Prepayment system		Smart Card	Smart Card	Smart Card
Physical Properties				
Weight	kg	3,99	4,04	3,9
Protection Class	IEC 60529	IP 53	IP 53	IP 53



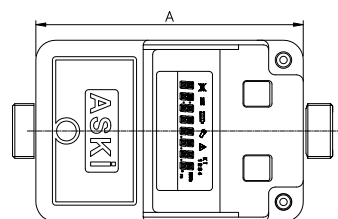
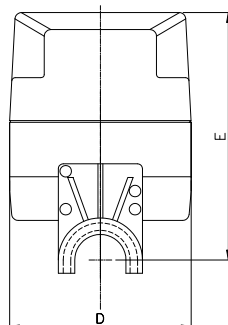
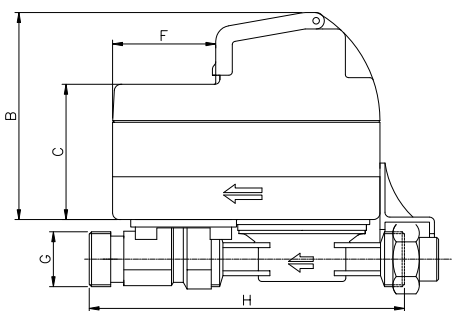
A	B	C	D	E	F	G
255	120	100	285	150	177	R 1"

S020AP005

Prepaid Water Meter



Technical Data		
Nominal Flow (Qn)	m ³ /h	2,5
Maximum Working Pressure (MOP)	bar	10
Maximum Pressure Loss at Qmax (ΔP)	bar	0,6
Accuracy (ISO 4064-1)	-	B
Battery Life (lithium)	-	5 years
Ambient Working Temperature	-	-15°C / 50°C
Accuracy Limits (ISO 4064-1)		
Minimum Flow (Q1)	m ³ /h	0,05
Transitional Flow (Q2)	m ³ /h	0,2
Continuous Flow (Q3)	m ³ /h	4
Maximum Flow (Q4)	m ³ /h	5
Maximum Water Temperature (Tmax)	°C	40
Register Digits Number (Integer+Decimal)	m ³	5+3=8
Prepayment System		Smart Card
Physical Properties		
Weight	kg	2
Protection Class	IEC 60529	IP 53



MODEL	A	B	C	D	E	F	G	H
AWP 422020-1C	162	126	82	110	150	62.5	R 1"	190

S040TC020

Prepaid Water Meter



Technical Data

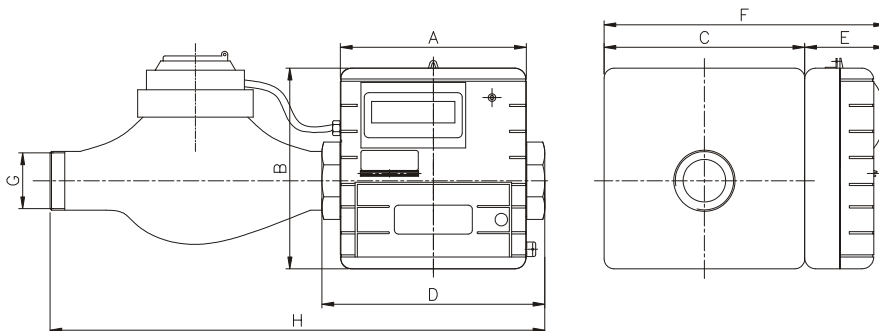
Nominal Flow (Qn)	m ³ /h	10
Maximum Working Pressure (MOP)	bar	10
Maximum Pressure Loss at Qmax (ΔP)	bar	1
Accuracy (ISO 4064-1)	-	B
Battery Life (lithium)	-	5 years
Ambient Working Temperature	-	-15°C / 50°C

Accuracy Limits (ISO 4064-1)

Minimum Flow (Q1)	m ³ /h	0,2
Transitional Flow (Q2)	m ³ /h	0,8
Continuous Flow (Q3)	m ³ /h	16
Maximum Flow (Q4)	m ³ /h	20
Maximum Water Temperature (Tmax)	°C	40
Register Digits Number (Integer+Decimal)	m ³	7+1=8
Prepayment system		Smart Card

Physical Properties

Weight	kg	13,14
Protection Class	IEC 60529	IP 53



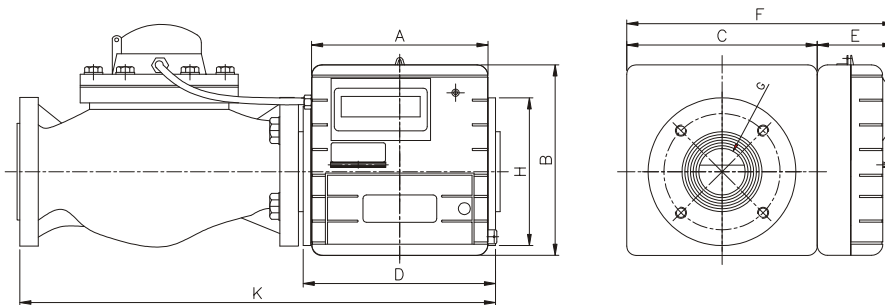
MODEL	A	B	C	D	E	F	G	H
AWP-20040	190	205	205	228	83	288	R 2"	515



S050TC030

Prepaid Water Meter

Technical Data		
Nominal Flow (Qn)	m ³ /h	15
Maximum Working Pressure (MOP)	bar	10
Maximum Pressure Loss at Qmax (ΔP)	bar	1
Accuracy (ISO 4064-1)	-	B
Battery Life (lithium)	-	5 years
Ambient Working Temperature	-	-15°C / 50°C
Accuracy Limits (ISO 4064-1)		
Minimum Flow (Q1)	m ³ /h	0,45
Transitional Flow (Q2)	m ³ /h	0,3
Continuous Flow (Q3)	m ³ /h	24
Maximum Flow (Q4)	m ³ /h	30
Maximum Water Temperature (Tmax)	°C	40
Register Digits Number (Integer+Decimal)	m ³	7+1=8
Prepayment System		Smart Card
Physical Properties		
Weight	kg	33,1
Protection Class	IEC 60529	IP 53



MODEL	A	B	C	D	E	F	G	H	K
AWP-20050	190	205	205	207	83	288	Ø50	Ø160	570

S080TM200**Prepaid Water Meter****Technical Data**

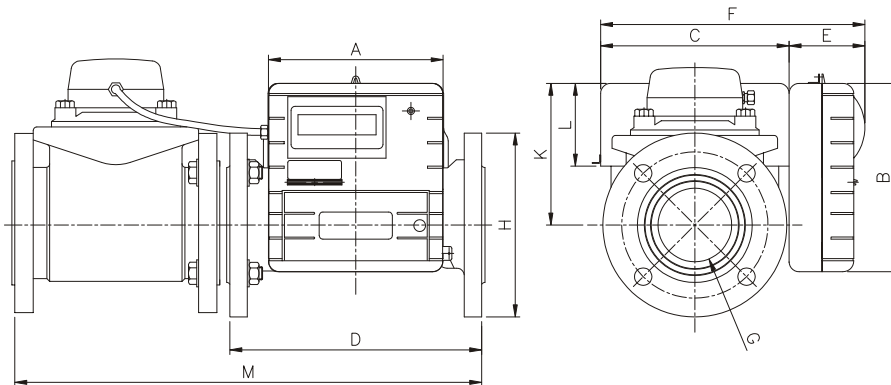
Nominal Flow (Q _n)	m ³ /h	120
Maximum Working Pressure (MOP)	bar	16
Maximum Pressure Loss at Q _{max} (ΔP)	bar	1
Accuracy (ISO 4064-1)	-	B
Battery Life (lithium)	-	5 years
Ambient Working Temperature	-	-15°C / 50°C

Accuracy Limits (ISO 4064-1)

Minimum Flow (Q ₁)	m ³ /h	0,6
Transitional Flow (Q ₂)	m ³ /h	1
Continuous Flow (Q ₃)	m ³ /h	160
Maximum Flow (Q ₄)	m ³ /h	200
Maximum Water Temperature (T _{max})	°C	40
Register Digits Number (Integer+Decimal)	m ³	8+0=8
Prepayment system		Smart Card

Physical Properties

Weight	kg	41
Protection Class	IEC 60529	IP 53



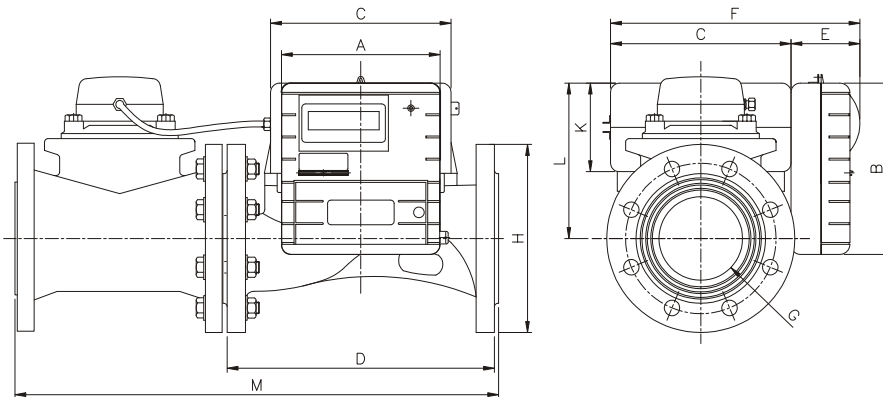
MODEL	A	B	C	D	E	F	G	H	K	L	M
AWP-20080	190	205	205	274	83	288	Ø80	Ø200	154	90	510

S100TM250

Prepaid Water Meter



Technical Data		
Nominal Flow (Q _n)	m ³ /h	180
Maximum Working Pressure (MOP)	bar	16
Maximum Pressure Loss at Q _{max} (ΔP)	bar	1
Accuracy (ISO 4064-1)	-	B
Battery Life (lithium)	-	5 years
Ambient Working Temperature	-	-15°C / 50°C
Accuracy Limits (ISO 4064-1)		
Minimum Flow (Q1)	m ³ /h	1,2
Transitional Flow (Q2)	m ³ /h	2,5
Continuous Flow (Q3)	m ³ /h	200
Maximum Flow (Q4)	m ³ /h	250
Maximum Water Temperature (T _{max})	°C	40
Register Digits Number (Integer+Decimal)	m ³	8+0=8
Prepayment System		Smart Card
Physical Properties		
Weight	kg	50
Protection Class	IEC 60529	IP 53



MODEL	A	B	C	D	E	F	G	H	K	L	M
AWP-20100	190	205	216	320	83	299	Ø100	Ø225	106	186	575

S150TM600

Prepaid Water Meter



Technical Data

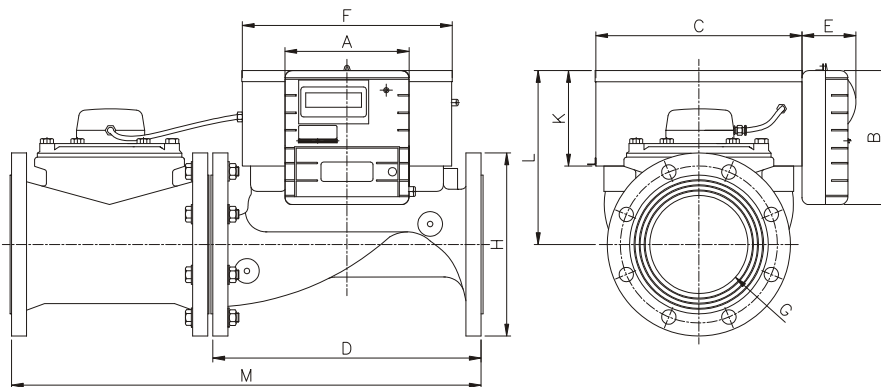
Nominal Flow (Qn)	m ³ /h	400
Maximum Working Pressure (MOP)	bar	16
Maximum Pressure Loss at Qmax (ΔP)	bar	1
Accuracy (ISO 4064-1)	-	B
Battery Life (lithium)	-	5 years
Ambient Working Temperature	-	-15°C / 50°C

Accuracy Limits (ISO 4064-1)

Minimum Flow (Q1)	m ³ /h	2,75
Transitional Flow (Q2)	m ³ /h	4
Continuous Flow (Q3)	m ³ /h	480
Maximum Flow (Q4)	m ³ /h	600
Maximum Water Temperature (Tmax)	°C	40
Register Digits Number (Integer+Decimal)	m ³	8+0=8
Prepayment system		Smart Card

Physical Properties

Weight	kg	150
Protection Class	IEC 60529	IP 53



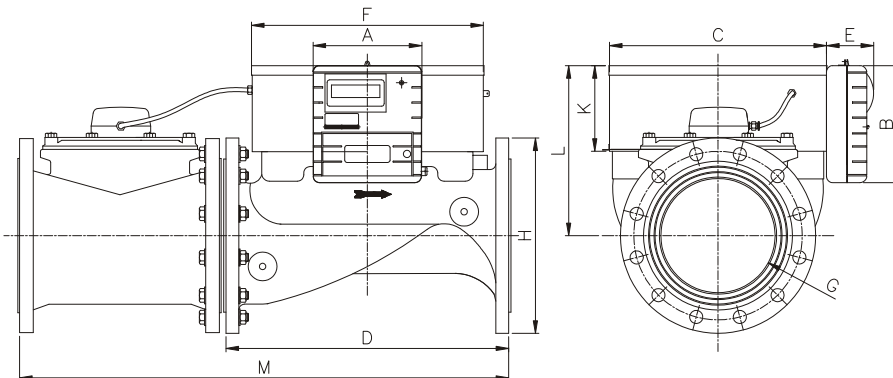
MODEL	A	B	C	D	E	F	G	H	K	L	M
AWP-20150	190	205	315	410	83	320	Ø150	Ø280	145	266	730

S200TM800

Prepaid Water Meter



Technical Data		
Nominal Flow (Q _n)	m ³ /h	550
Maximum Working Pressure (MOP)	bar	16
Maximum Pressure Loss at Q _{max} (ΔP)	bar	1
Accuracy (ISO 4064-1)	-	B
Battery Life (lithium)	-	5 years
Ambient Working Temperature	-	-15°C / 50°C
Accuracy Limits (ISO 4064-1)		
Minimum Flow (Q ₁)	m ³ /h	4
Transitional Flow (Q ₂)	m ³ /h	6
Continuous Flow (Q ₃)	m ³ /h	640
Maximum Flow (Q ₄)	m ³ /h	800
Maximum Water Temperature (T _{max})	°C	40
Register Digits Number (Integer+Decimal)	m ³	8+0=8
Prepayment System		Smart Card
Physical Properties		
Weight	kg	180
Protection Class	IEC 60529	IP 53



MODEL	A	B	C	D	E	F	G	H	K	L	M
AWP-20200	190	205	380	495	83	405	Ø200	Ø342	150	298	870

ICON MESSAGES



Battery is full.



Battery is medium: Battery voltage that is used for back-up battery, inner side of the Control Kit, reaches the critical level



Battery is low: Battery energy is very low and it is near the end. When the battery is out of use, Control Kit activates the cutting unit.



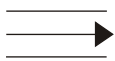
4. Displays the tariff type in which the meter is.



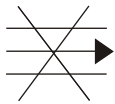
Service: There is a problem with the valve. The valve could not complete its function within the normal time. The subscriber should call for service.



Connection terminal Cover Opening Warning: As it is saved to the memory penalty symbol becomes active when the first cover open.

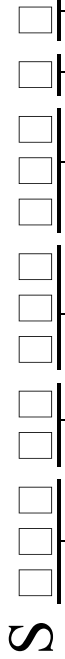


Valve unit is open: Water flow is possible through the control kit.



Valve unit is closed: No credit available in Water Meter Payment Control Kit. For this reason, the Control Kit stops the water flow use by closing the valve unit.

S SERIES WATER METERS



Pipe Diameter
 015-15 mm 040- 40 mm 100- 100 mm
 020-20 mm 050- 50 mm
 025- 25 mm 080- 80 mm 150- 150 mm

Meter Type
 AP- TM- 200- 200 mm
 AR- US-Ultrasonik
 AS-
 TC-

Max Flow (Q4) "
 003- 3 m³/h
 005- 5 m³/h 800- 800m³/h

R=Q3/Q1 Accuracy Class (ISO 4064-1:2005)
 040- 40 (Class A) 100- 100
 050- 50 125- 125
 063- 63 160- 160 (Class C)
 080- 80 (Class B) 200- 200

Flow Direction (*)
 S/Blank - Standard
 R- Right
 L- Left

Options(*) ()**
 0/Blank- Standard

Hardware Options

- A- Voice Alarm
- B- Backlight LCD Screen
- C- Internal Check Valve
- D- Tamper Detection Sensor
- E- Emergency Button
- F- Fraud Detection Sensor

AMR (Automatic Meter Reading) Options

- 1- COM (RS232/RS485)
- 2- GPRS Modem
- 3- Power Line Modem (PLM)
- 4- RF Modem
- 5- MBUS
- 6- Pulse Output

(*) Don't fill this column if not defined.

(**) Don't fill this column if not defined. Define more than one options in serial breaking comma. Some options might be standard specifications for some products. Please consult Sales Representative!



