

# ELEKTROMED

EXCELLENCE IN METERING

WATER  
METER  
PAYMENT  
CONTROL  
KIT



## ELEKTROMED WATER METER PAYMENT CONTROL KIT

Classical mechanical meters are getting outdated and are being combined with modern Electronic Water Meter Payment Control Kit. By this new system, both the Water Authority and subscriber save not only their time, but also their money.

Water meter system that is operated by Electronic Payment Control Kit, allows use also current meter in the system. Electronic Payment Control Kit is complementary equipment with current meter. It is installed the pipeline system and for metering the old meter is still in the system. The Control Kit makes enable to manage flow of the water Electronically.



## OPERATION PRINCIPLE

Authority will add (install) Electronic Water Meter Payment Control Kit to the current metering system pipeline without removing old meter. Electronic Payment Control Kit has an LCD screen with 8 characters to declare the messages.

In the control system, every subscriber has a smart card for his/her kit. Every smart card has been matched with one payment control kit. It means that one subscriber can not use his/her smart card in another control kit, one card can be used with its matched kit.

At first day of every month, the Control Kit gives a message on the screen as 'PAY BILL'. The message means that, system requires bill payment. After bill payment, POS (point of sales) terminal transfers subscriber card 'Bill Paid' information. Between the first day and tenth day of the every month, the control kit gives 'PAY BILL' message until bill payment and subscriber's card insertion.

After transferring 'Bill Paid' information to control kit by inserting smart card into interface of the kit, then the water meter payment control kit continues normal operation.

The control kit has a demandmeter; it shows messages on the screen during four second. Every four second the message changes in the screen and device ID number also declares as another message.

If subscriber does not pay his/her bill between first and tenth day of the month, there is no 'Bill Paid' information in subscriber card. After tenth day of the month, without payment, the kit cuts 90% of flow of the pipe and gives '90% OFF' message on the screen. After paying the bill with penalty and inserting of subscriber smart card by subscriber, the Control Kit allows 100% water passing through the pipe system.

After a certain period determined by Authority, the Control Kit closes its valve totally (100%) until bill payment with its penalty.

The screen has 'ID NUMBER', 'PAY BILL', '90% OFF', 'DATE INFORMATION' and 'TIME INFORMATION' messages by changing every four second.

## Elektromed Water Meter Payment Control Kit has 4 operation modes:

### 1-ACTIVE MODE

In active mode, the Control Kit allows 100% water flow through it.

### 2-WARNING MODE

In warning mode, the Control Kit allows 100% water flow through it.

In the first day of every month, the conversion kit changes its mode from active to Warning Mode.

### 3-LIMITED MODE

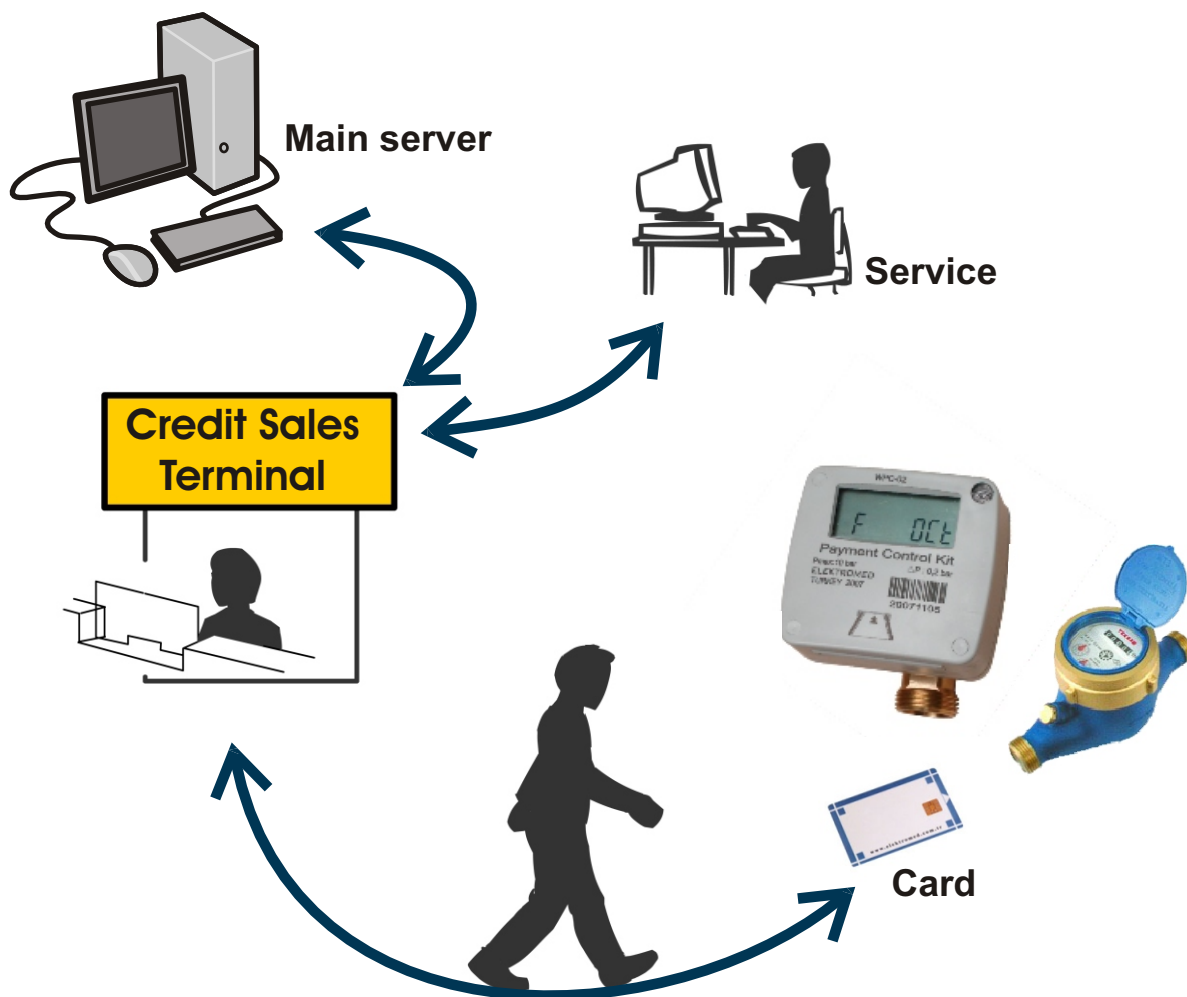
In limited mode, the Control Kit limits the flow of the system.

In the example load level is 90% means the kit allows only 10% water flow of maximum capacity of the water meter in the line.

### 4-CLOSE MODE

In close mode, the Control Kit close 100% of valve.

## How To Operate System



## Technical Data

Nominal Flow(Qn)	m3/h	1,5
Maximum Flow(Qmax)	m3/h	3
Maximum Working Pressure	bar	10
Maximum Pressure Loss ( $\Delta p$ )	bar	0,2
Battery Life (Lithium)	year	5
Ambient Working Temperature	°C	-15 to +50
Maximum Water Temperature (Tmax)	°C	65
Display Register Indication	Digit	8
Verification Scale Interval	liter	1
Protection Class (Environmental)	IP	IP51

## ICON MESSAGES



Battery is full.



Battery level is medium: Battery voltage that is used for back-up battery, inner side of the Control Kit, reaches the critical level



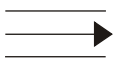
Battery level is low: Battery energy is very low and it is near the end. When the battery is out of use, Control Kit activates the cutting unit.



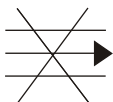
Service: There is a problem with the valve. The valve could not complete its function within the normal time. The subscriber should call for service.



Connection terminal Cover Opening Warning: As it is saved to the memory penalty symbol becomes active when the first cover open.



Valve unit is open: Water flow is possible through the control kit.



Valve unit is closed: No credit available in Water Meter Payment Control Kit. For this reason, the Control Kit stops the water flow use by closing the valve unit.

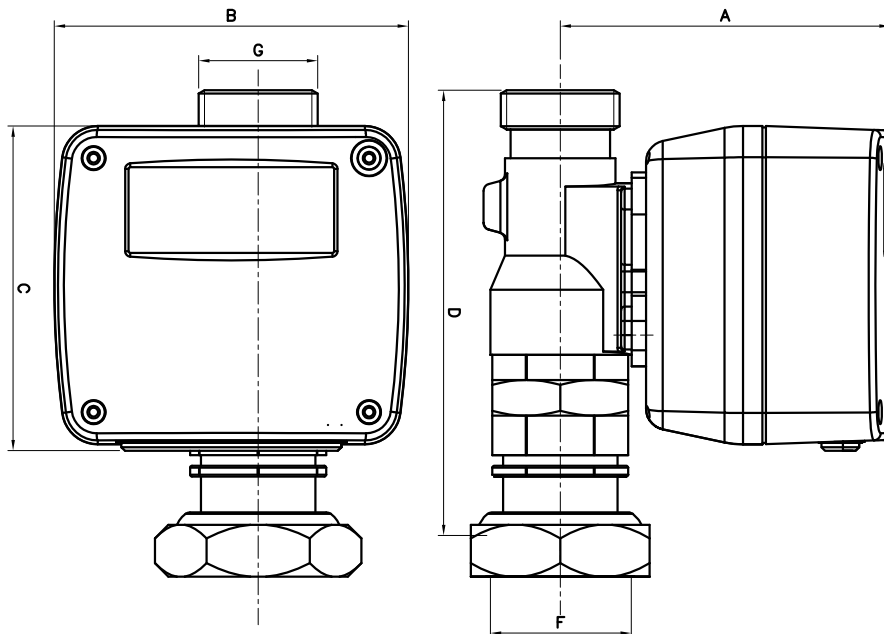
## PROPERTIES OF ELEKTROMED WATER CONTROL SYSTEM

1. The Control Kit works as a "complementary system" with current conventional meter.
2. It is 100 % reliable and accurate system.
3. It gives the user instruction on LCD display monitor; that is why it is so easy to use. (User friendly)
4. It does not allow any malfunction, since it controls itself.
5. Electronic Water Meter Payment Control Kit identifies any illegal consumption by recording them into its memory. Then automatically locks its valve, cuts off flows of water and protects itself.
6. Control kit warns the user (subscriber) before its determined time finishes.
7. Control Kit warns the user before its batteries nearly out of charge. If the user does not consider the warnings, meter records all consumption and meter condition information into its memory and protect itself when the battery will be empty.
8. Control kit gives its messages on LCD display monitor.

## LCD DISPLAY UNIT

Monitor is an LCD (Liquid Crystal Display) - Its messages, such consist of 8 digits, user friendly in functions such as learning remaining time for 90% cut off etc

## TECHNICAL DRAWING



A	B	C	D	G	F
92	99	90	125	G1"	G 1 1/4"



